



# 规格书 Specification

品名/Term:卡侬四芯公插头

XLR connector-4 pin male plug

型号/Model:SW4XMT-B (Black)

承认签章/Admit signature					
供应商确认/supplier			客户公司承认/customer		
工程师 engineer	审核 audit	批准 approval	工程师 engineer	审核 audit	批准 approval
LXQ	WXW	CJY			
盖章签署 signature			盖章签署 signature		
日期/date			日期/date		

## 一、产品外观 (Product Appearance)

SW4XMT-B



## 二、产品特性 (Product features)

☑️ 单手操作, 一键拔插

One hand can operation, push the button to pull it out

☑️ 接触点镀金, 外壳镀黑

The contact pin is gold-plated, the shell plating black

☑️ 锌合金外壳, 确保其在任何使用现场都可以承受重力压迫

Zinc alloy shell to ensure that it can withstand gravity in any field of use

☑️ 防护等级 IP40

Protection class IP40

☑️ 线径范围: 3.5-8mm

Wire diameter range: 3.5-8mm

## 三、技术参数 (Technical parameters)

### 1. 产品参数 (Product parameters)

连接类型( Connection Type)	XLR
公母性( Gender)	Male

### 2. 电气参数 (Electrical parameters)

触点间电容 (Capacitance between contacts )	$\leq 7\text{pF}$
接触电阻 (Contact resistance )	$\leq 3\text{m}\Omega$
介电强度 (Dielectric strength )	1.5kVdc
绝缘电阻 (Insulation resistance)	$> 1.5\text{G}\Omega$ (initial)
每触点间额定电流(Rated current per contact)	7.5A
额定电压( Rated voltage)	$< 50\text{V}$

### 3.机械参数 (Mechanical parameters)

电缆线径 (Sign Cable O.D. )	3.5-8mm
插入力 (Insertion force)	≤ 40N
拔出力 (Withdrawal force )	≤ 40N
使用寿命 (Service life )	> 1000 mating cycles
电线尺寸 (Wire size)	Max. 1.5 mm <sup>2</sup>
电线尺寸 (Wire size)	Max. 16 AWG
锁定装置 (Locking device )	Latch lock

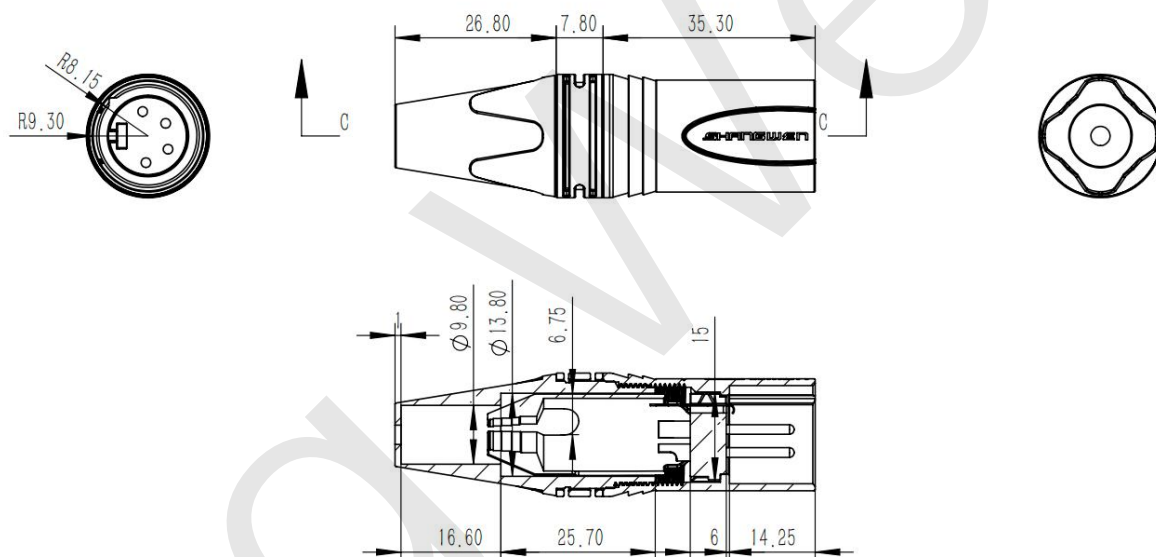
### 4.材料和环境 (Material and environmental parameters)

尾套 (Boot )	TPU
触点 (Contacts )	Cu alloy
触点电镀 (Contact plating )	Au
内芯 (Insert )	Polyamide (PA 66 +30 % GF)
外壳 (Shell )	Zinc diecast (ZnAl4Cu1)
外壳电镀(Shell plating )	Cr Black
线夹(Strain relief )	Polyacetal (POM)
阻燃等级 (Flame-retardant grade )	UL 94 HB
防护等级 (Protection class )	IP40
使用温度范围(Temperature range )	-20°Cto +80°C

#### 四、产品外形尺寸 (Product Profile)

SW4XMT-B

Unit:mm



#### 五、组装图 (Assembly reference)

